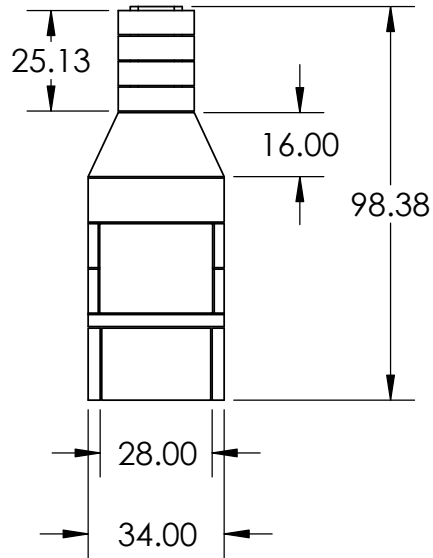
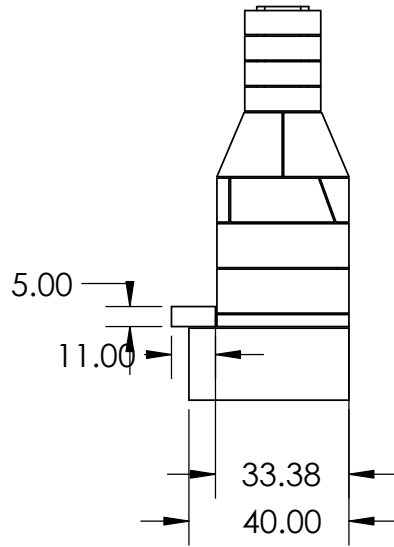


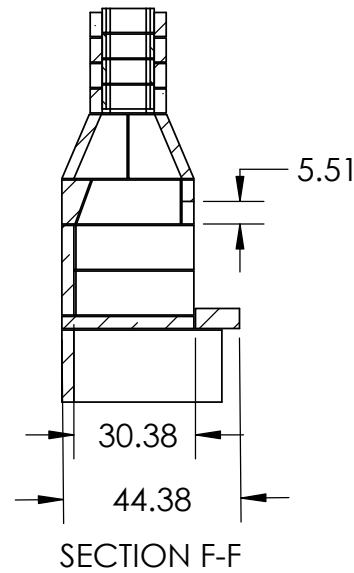
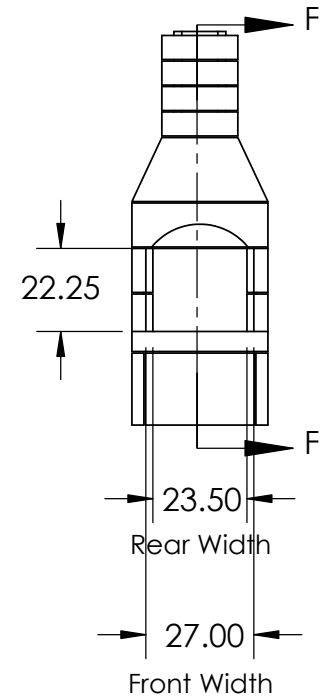
Rear View



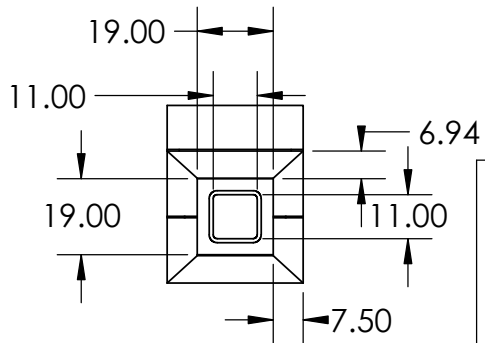
Side View



Front View



Top View



Firebox Widths, without Firebrick

PROPRIETARY AND CONFIDENTIAL

THE INFORMATION CONTAINED IN THIS DRAWING IS THE SOLE PROPERTY OF STONE AGE MANUFACTURING, INC. ANY REPRODUCTION, IN PART OR AS A WHOLE, WITHOUT THE WRITTEN PERMISSION OF STONE AGE MANUFACTURING, INC. IS PROHIBITED.

UNLESS OTHERWISE SPECIFIED:

DIMENSIONS ARE IN INCHES

TWO PLACE DECIMAL ±

MATERIAL

DO NOT SCALE DRAWING



11107 E 126TH ST. N.
Collinsville, OK 74021
918-371-8861

TITLE:

24" Standard Series

SIZE
A

DWG. NO.
SA24-3V

REV

SCALE: 1:48

WEIGHT:

SHEET 1 OF 1